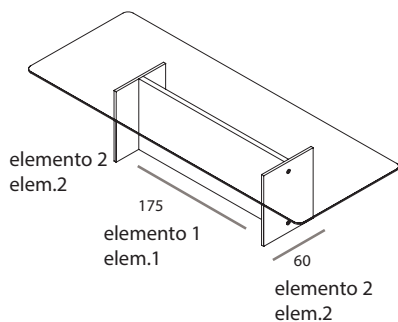


Regolo double base

Tavolo con top disponibile in vetro extrachiaro trasparente o stratificato fumé. Base composta da un elemento in legno, varie finiture, e due elementi in vetro stratificato laccato nero.

Dining table with extralight clear or smoked laminated glass top. Base composed of a wooden element, various finishes, and two black lacquered laminated glass elements.



DIMENSIONS cm	COD.	M ³	KG
320x120x74h	P1518	0,56	276

FINITURE TOP / TOP FINISHES

VETRO GLASS

TETE
Sp./Th. 15 mm

TFTF
Sp./Th. 8+8 mm



TETE



TFTF

FINITURE ELEMENTO 1 / ELEMENT 1 FINISHES

Legno/Wood



RN RG WG NC

FINITURE ELEMENTO 2 / ELEMENT 2 FINISHES

Vetro stratificato laccato /Lacquered laminated glass



TFN1